



Main applications

- Packaging Machinery
- Thermoforming
- Plastic extrusion lines
- Industrial ovens and furnaces
- Control application with high switching speed

Main features

- Alternating current solid state relay
- Zero crossing switching
- Copper/semiconductor coupling technology
- 15, 25, 50 and 90Arms nominal current
- Non-repetitive voltage: up to 1600Vp
- Nominal Voltage: up to 600 Vac
- Control voltage : 3...32Vcc and 20...260Vac/Vcc with connector
- Isolation ((input-output) 4000Vrms
- Red LED drive active signal
- Internal MOV (option)

PROFILE

Zero crossing relay with antiparallel thyristor output is the most used solid state relay in industrial applications.

In fact, it can be used for resistive, inductive and capacity loads.

"Zero crossing" relay is energised when voltage meets the zero point and disenergised when current meets the zero point, depending on the signal control on the input circuit.

This relay has been designed to stand high-value transitory applications .

When the relay has to stand high currents for a long period, it is necessary to grant a proper dissipation and an adequate electrical connection between relay terminals and the load.

Varistors, fuses, thermostats and fans are available as fittings.

Use the relay with an opportune heatsink (see section accessories).

TECHNICAL DATA

General features

Rated frequency: 45...65Hz

Activation time:

GQ...-D- ≤1/2 cycle GQ...-A- ≤1 cycle

Deactivation time:

GQ...-D- ≤1/2 cycle GQ...-A- ≤1 cycle

Power factor: ≥0,5

Protection level: IP20

• U_{imp} = 4,8KV

• U_i = 660V

• Overload current profile = 10

• Conditional short circuit current = 5KA with type 1 coordination and respective fuse protections.

GQ15/25 fuse type aM6A

GQ50 fuse type aM16A

GQ90 fuse type aM20A

GQ...- 24-

Nominal voltage: 24...230 Vac
(max range 20...253Vac)

Non-repetitive voltage: ≥ 600 Vp

Zero switching voltage: ≤ 20V

GQ...- 48-

Nominal voltage: 48...480 Vac
(max range 40...528Vac)

Non-repetitive voltage: ≥ 1200 Vp

Zero switching voltage: ≤ 40 V

GQ...- 60-

Nominal voltage: 48...600 Vac

(max range 40...660Vac)

Non-repetitive voltage: ≥ 1200 Vp

Zero switching voltage: ≤ 40V

Control input A1 - A2

GQ...-D-

Control voltage: 3...32Vcc

Turn ON voltage: ≥ 2,7Vc.c

Turn OFF voltage: ≤ 1Vcc

Reverse voltage: < 36Vcc

Consumption: ≤ 13mA@32V

GQ...-A-

Control voltage: 20...260Vac/Vcc

Turn ON voltage: ≥ 15Vac/Vcc

Turn OFF voltage: ≤ 6Vac/Vcc

Consumption: ≤ 8mAac/cc@260Vac/Vcc

Series connection of control inputs:
max. no. GQ...-A in series = Vcontrol
-10% / 20

Output L1 - T1

GQ - 15 -

Nominal current :

AC51: 15Arms; AC53A (*): 3Arms

Min load current: 0,1Arms

Repetitive overcurrent t=1 s: ≤ 35Arms

Non-repetitive overcurrent t=20ms:200Ap

Current drop at nominal voltage and frequencies:
 $\leq 8\text{ mArms}$
 I^2t for fusing $t=1-10\text{ms}$: $\leq 200\text{A}^2\text{s}$
 Critical dI/dt : $\geq 100\text{A}/\mu\text{s}$
 Voltage drop at nominal current: $\leq 1,45\text{Vrms}$
 Critical dV/dt off-state: $\geq 1000\text{V}/\mu\text{s}$
 $I_{th} = 15\text{A}$

GQ - 25 -

Nominal current :
 AC51: 25Arms; AC53A (*): 5Arms
 Min load current: 0,3Arms
 Repetitive overcurrent $t=1\text{ s}$: $\leq 60\text{Arms}$
 Non-repetitive overcurrent $t=20\text{ms}$: 300Ap
 Current drop at nominal voltage and frequencies:
 $\leq 8\text{ mArms}$
 I^2t for fusing $t=1-10\text{ms}$: $\leq 450\text{A}^2\text{s}$
 Critical dI/dt : $\geq 100\text{A}/\mu\text{s}$
 Voltage drop at nominal current: $\leq 1,45\text{Vrms}$
 Critical dV/dt off-state: $\geq 1000\text{V}/\mu\text{s}$
 $I_{th} = 25\text{A}$

GQ - 50 -

Nominal current :
 AC51: 50Arms; AC53A (*): 15Arms
 Min load current: 0,3Arms
 Repetitive overcurrent $t=1\text{ s}$: $\leq 125\text{Arms}$
 Non-repetitive overcurrent $t=20\text{ms}$: 600Ap
 Current drop at nominal voltage and frequencies:
 $\leq 8\text{ mArms}$
 I^2t for fusing $t=1-10\text{ms}$: $\leq 1800\text{A}^2\text{s}$
 Critical dI/dt : $\geq 100\text{A}/\mu\text{s}$
 Voltage drop at nominal current: $\leq 1,35\text{Vrms}$
 Critical dV/dt off-state: $\geq 1000\text{V}/\mu\text{s}$
 $I_{th} = 50\text{A}$

GQ - 50B -

(with high I^2t fusing current)
 Nominal current :
 AC51: 50Arms; AC53A (*): 18Arms
 Min load current: 0,4Arms
 Repetitive overcurrent $t=1\text{ s}$: $\leq 140\text{Arms}$

Non-repetitive overcurrent $t=20\text{ms}$: 1150Ap
 Current drop at nominal voltage and frequencies:
 $\leq 10\text{ mArms}$
 I^2t for fusing $t=1-10\text{ms}$: $\leq 6600\text{A}^2\text{s}$
 Critical dI/dt : $\geq 100\text{A}/\mu\text{s}$
 Voltage drop at nominal current: $\leq 1,2\text{Vrms}$
 Critical dV/dt off-state: $\geq 1000\text{V}/\mu\text{s}$
 $I_{th} = 50\text{A}$

GQ - 90 -

Nominal current
 AC51: 90Arms; AC53A (*): 20Arms
 Min load current: 0,5Arms
 Repetitive overcurrent $t=1\text{ s}$: $\leq 150\text{Arms}$
 Non-repetitive overcurrent $t=20\text{ms}$: 1500 Ap
 Current drop at nominal voltage and frequencies:
 $\leq 10\text{ mArms}$
 I^2t for fusing $t=1-10\text{ms}$: $\leq 11200\text{A}^2\text{s}$
 Critical dI/dt : $\geq 100\text{A}/\mu\text{s}$
 Voltage drop at nominal current: $\leq 1,35\text{Vrms}$
 Critical dV/dt off-state: $\geq 1000\text{V}/\mu\text{s}$
 $I_{th} = 90\text{A}$

(*) Only versions: GQ-XX-24-X-1
 GQ-XX-48-X-1

Insulation

Nominal insulation voltage
 Input/output: $\geq 4000\text{ Vac}$
 Nominal insulation voltage
 Output/case: $\geq 2500\text{ Vac}$
 Insulation resistance
 Input/output: $\geq 10^{10}\Omega$
 Insulation resistance
 Output/case: $\geq 10^{10}\Omega$
 Insulation capacity Input/Output: $\leq 8\text{pF}$
 Insulation capacity Output/case: $\leq 100\text{pF}$

Ambient conditions

- Ambient temperature: $-25\dots+80^\circ\text{C}$
- Storage Temperature: $-55\dots+100^\circ\text{C}$
- Maximum relative humidity: 50% a 40°C
- Maximum installation height: 2000 slm
- Pollution level: 3

Thermal features

GQ - XX -
 Junction Temperature: $\leq 125^\circ\text{C}$
 R_{th} junction/ambient: $\leq 12\text{ K/W}$

GQ - 15 - / GQ - 25 -
 R_{th} junction/case: $\leq 1,25\text{ K/W}$

GQ - 50 -
 R_{th} junction/case: $\leq 0,65\text{ K/W}$

GQ - 50B -
 R_{th} junction/case: $\leq 0,33\text{ K/W}$

GQ - 90 -
 R_{th} junction/case: $\leq 0,3\text{ K/W}$

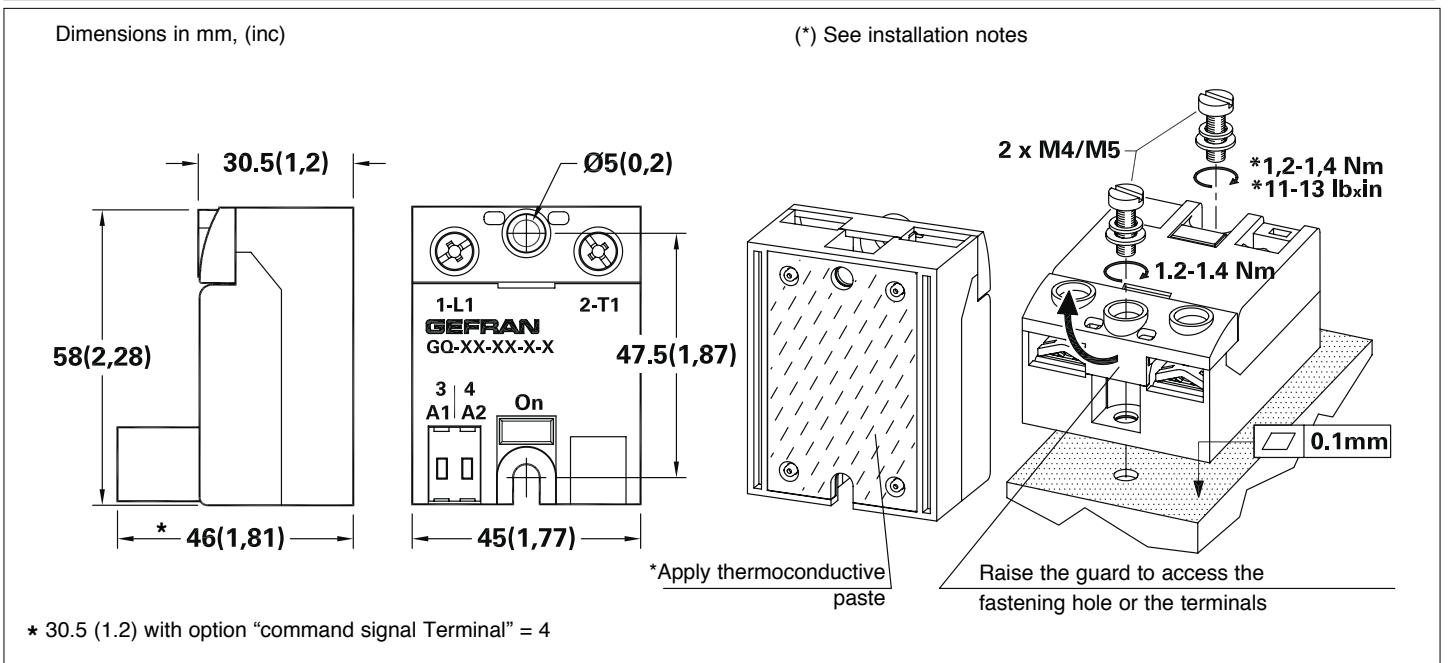
Solid State Relay Dissipated Power Calculation

Single phase state relay
 P_d GQ .. 15/25 = 1,45 . Irms [W]
 P_d GQ .. 50/90 = 1,35 . Irms [W]
 P_d GQ .. 50B = 1,2 . Irms [W]
 IRMS = single-phase load current

Heatsink Thermal Resistance Calculation

$R_{th} = (90^\circ\text{C} - T_{amb. max}) / P_d$
 where P_d = dissipated power
 Max. amb. T = max air temperature inside the electrical cabinet.
 Use a heatsink with thermal resistance inferior to the calculated one (R_{th}).

DIMENSIONS



Installation notes

The device must be protected by a high speed fuse (accessory).

Applications with power solid state relays must also have a switch to isolate the power line. Protect the solid state relay against overheating by using a heatsink (accessory).

The heatsink must be sized according to room temperature and load current (see technical data).

Heatsink installation procedure:

spread 1 gram of thermoconductive silicone paste (we recommend DOW CORNING 340) on the dissipative metal surfaces of the module.

The surfaces must be clean and the thermoconductive paste must not contain any impurities.

As alternative it is also possible to use the slide SIL-GQ available as accessory.

Alternately tighten the two fastening screws until reaching a torque of 0.4...0.6 Nm.

Wait 5 minutes for any excess paste to run off.

Alternately tighten the two fastening screws until reaching a torque of 1.2...1.4 Nm.

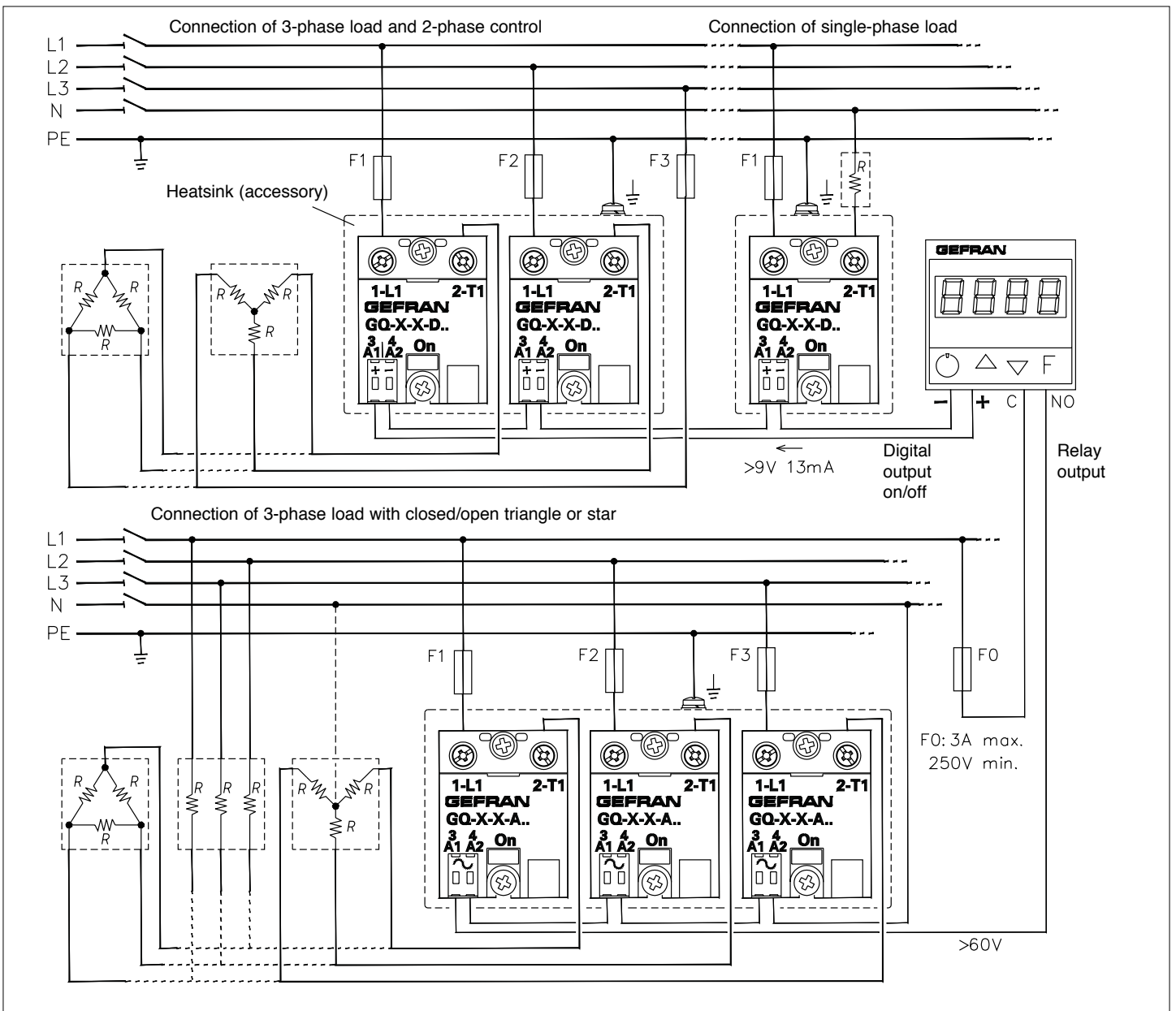
Attention

The contact surface of the heatsink module may have a maximum planarity error of 0.1 mm and maximum roughness of 0.02 mm.





The fastening holes on the heatsink must be threaded and countersunk.

The heatsink must be grounded.

ELECTRICAL CONNECTIONS



TERMINALS AND LEADS: SPECIFICATIONS

Description	Power terminals		Extractable 2 poles command terminals 3-A1 / 4-A2			
	1-L1	2-T2				
Terminal type	screw (M4) contact area (LxP) 13x11mm		with self-locking spring MORS1	with spring double connection MORS2	with screw M3 MORS3	with screw M2.5 MORS4
Stripped wire	1x2.5...6mm ² 2x1.5...2.5mm ² 2x2.5...6mm ² Stripped 11mm		1x0.2...2.5mm ² 2x0.5...0.75mm ² (#) Stripped 10mm	2x(1x0.2...2.5mm ²) 2x(2x0.2...0.75mm ²)(#) Stripped 10mm	1x0.25...2.5mm ² 2x0.25...1mm ² (#) Stripped 7mm	1x0.5...1.5mm ² Stripped 6mm
Prod cable	1x1.5...6mm ² 2x1.5...2.5mm ² 2x2.5...6mm ²		1x0.2...1.5mm ² 2x0.2...0.75mm ² (#)	2x(1x0.25...2.5mm ²) 2x(2x0.25...0.75mm ²) (#)	1x0.25...2.5mm ² 2x0.25...1mm ² (#)	---
Prod cable with collar	1x1.5...10mm ² 2x1.5...2.5mm ² 2x2.5...6mm ²		1x0.2...1.5mm ²	1x0.25...1.5mm ²	1x0.25...2.5mm ² 2x0.25...1.5mm ² (#)	---
Fork or eyelet cable	1x2.5...25mm ²		---	---	---	---
Locking torque / screwdriver type	slot 1x5...6mm cross ø 5...6mm 2...2,4Nm		with slot 0,6x3,5mm for contact opening thrust	with slot 0,6x3,5mm for contact opening thrust (with flexible stripped cable)	with slot 0,6x3,5mm with cross ø 3...3,8mm 0,5...0,6Nm	with slot 0.6x3.5mm 0.4Nm
(#) When inserting two leads in the same terminal they must have the same cross-section Note: The minimum and maximum sections shown refer to unipolar copper wires isolated in PVC.						

FUSES/ FUSES HOLDER

HIGH SPEED FUSES					FUSE HOLDER		
Model	Size I ² T	Code Format	Model Code	Dissipated power @ In	Model Code Approval	Max power dissipated	Max continuative current
GQ15...	16A 150A ² S	FUS-016 10x38	FWC16A10F 338470	3,5W	PFI-10x38 337134 UR 30A@690V	3W	13A
GQ25...	25A 390A ² S	FUS-025 10x38	FWC25A10F 338474	6W			13A
	375A ² S	FUS-026 14x51	FWC25A14F 338130	7W	PFI-14x51 337503 UR 50A@600V	5W	18A
GQ50...	50A 1800A ² S	FUS-051 14x51	FWC50A14F 338079	9W			27A
	50A 1600A ² S	FUS-050 22x58	FWC50A22F 338127	9,5W	PFI-22x58 337223 UR 80A@600V	9,5W	50A
GQ90...	80A 6600A ² S	FUS-080 22x58	FWP80A22F 338199	14W			50A
	100A 12500A ² S	FUS-100 22x58	FWP100A22F 338478	16W			60A

HEATSINK/ THERMAL RESISTANCE

Model	GEFRAN HEATSINK (see accessories)	THERMAL RESISTANCE
GQ15...	DIS 25GD	R _{th} ≥ 2,8 K/W
GQ25...	DIS 50G	R _{th} ≥ 0,83 K/W
GQ50...	DIS 50G	R _{th} ≥ 0,83 K/W
GQ90...	DIS 90G	R _{th} ≥ 0,56 K/W

Data relating to 40°C ambient temperature, heatsink in vertical position with 15 cm of free air above and below.

SECTION CABLE

Model	Section
GQ15...	2,5mm ²
GQ25...	6mm ²
GQ50...	12mm ²
GQ90...	25mm ²

Minimum allowed rated section based on the rated currents of the power solid state relays, for copper leads isolated in PVC in continuous use and at room temperature of 40°C, according to standards CEI 44-5, CEI 17-11, IEC 408 pursuant to standard EN60204-1.

Power terminals in compliance with standard EN60947-1

REFERENCE NORMS

EMC Emission

EN 61000-6-4	Emissions conducted at radiofrequency	Class A (Industrial devices)
EN 61000-6-4	Emissions irradiated at radiofrequency	Class A (Industrial devices)

The product is designed for type A environments. Use of the product in type B environments may cause undesired electromagnetic noise. In this case, the user should take appropriate steps for improvement.

EMC Immunity

EN 61000-6-2	Immunity for industrial environments	
EN 61000-4-2	Electrostatic discharges 4kV by contact; 8 kV in air.	Performance criterion 2.
EN 61000-4-6	Electromagnetic field at radiofrequency Test level 3. 0,15-80MHz	Performance criterion 1
EN 61000-4-3	Electromagnetic field at radiofrequency Test level 10V/m. 80-1000MHz	Performance criterion 1.
EN 61000-4-4	Immunity to burst	Test level 2kV/100 KHz. Performance criterion 2.
EN 61000-4-5	Immunity to surge	Test level: 2kV (Phase-ground); 1kV (Phase-phase). Performance criterion 2.

Safety

EN 61010-1	Safety requirements
------------	---------------------

ORDER CODE

MODEL		GQ						
		GQ						
NOMINAL CURRENT								
15ACArms		15						
25ACArms		25						
50ACArms		50						
50ACArms	(*)	50B						
90ACArms		90						
NOMINAL VOLTAGE								
230VACrms		24						
480VACrms		48						
600VACrms	(**)	60						
CONNECTORS								
0	Without connector							
1	(MORS1) Two-pin spring connector, enclosed							
2	(MORS2) Two-pin double spring connector, enclosed							
3	(MORS3) Two-pin screw connector, enclosed							
4	(MORS4) Two-pin screw connector, low profile enclosed							
OVERVOLTAGE PROTECTION								
0	External							
1	Internal							
CONTROL VOLTAGE								
D	3...32Vc.c.							
A	20...260Vac/Vcc							

(*) Version with high I²t fusing current (short-circuit proof, using a specific magnetothermic switch)

(**) Available only in versions GQ-XX-60-X-1-X (overloading protection always present)

Please, contact GEFTRAN sales people for the codes availability.

•WARNINGS



WARNING: this symbol indicates danger.

Before installation, please read the following advices:

- follow the indications of the manual scrupulously when making the connections to the instrument.
- use a cable that is suitable for the ratings of voltage and current indicated in the technical specifications.
- if the instrument is used in applications where there is risk of injury to persons and damage to machines or materials, it is essential that it is used with an auxiliary alarm device.

It is advisable to verify frequently that the alarm device is functional even during the normal operation of the equipment.

- The instrument must NOT be used in environments where there could be the presence of dangerous atmospheres (inflammable or explosive).
- During continuous operation, the heatsink may reach 100°C and remain at a high temperature due to thermal inertia even after the device is switched off. Therefore, DO NOT touch the heat sink or the electrical wires.
- do not operate on the power circuit unless the main supply is disconnected.
- DO NOT open the cover if device is "ON"!

(use the holes in the cover for eventual re-calibration).



Installation:

- connect the device to the ground using the proper ground terminal.
- the power supply wiring must be kept separate from that of inputs and outputs of the instrument; always check that the supply voltage corresponds to that indicated on the instrument cover.
- evitare la polvere, l'umidità, i gas corrosivi, le fonti di calore.
- keep away from dust, humidity, corrosive gases and heat sources.
- The connection cable must be shorter than 3 meters if the current transformer is used.

Maintenance: Check the correct operation of the cooling fans at regular intervals; clean the ventilation air filters of the installation at regular intervals.

- Repairs must be performed only by specialized or appropriately trained personnel. Cut off power to the device before accessing internal parts.
- Do not clean the box with solvents derived from hydrocarbons (trichloroethylene, gasoline, etc.). Using such solvents will compromise the mechanical reliability of the device. To clean external plastic parts, use a clean cloth wet with ethyl alcohol or water.

Technical service : GEFTRAN has a technical service department. Defects caused by use not conforming to the instructions are excluded from the warranty.

	In conformity to ECC 2004/108/CE and 2006/95/CE and following modification with reference to standard EN 60947-4-2 (Low voltage equipment - AC Semiconductor starters and contactors)
	In Conformity with UL508 - File: E243386

GEFRAN spa

GEFRAN

via Sebina, 74 - 25050 Provaglio d'Iseo (BS)
Tel. +39 030 9888.1 - fax +39 030 9839063 Internet: <http://www.gefran.com>

DTS_GQ_12-2012_ENG