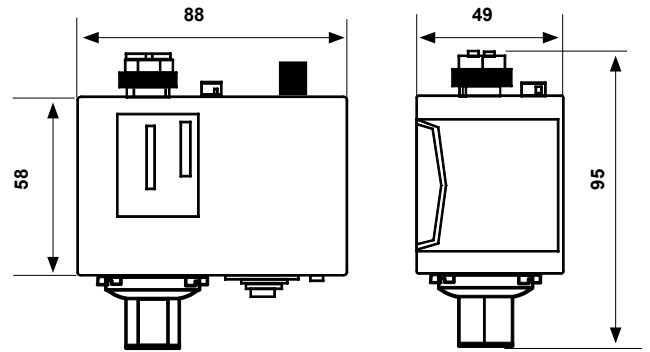


# B12M

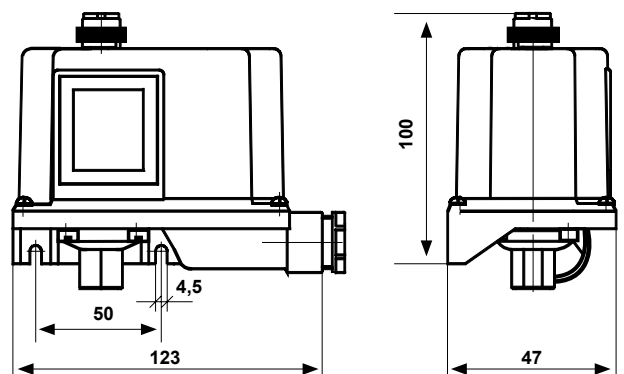
## Blocking pressure switches with manual reset

Blocking and safety pressure controls with manual reset, suitable for steam generators and fluids and inert gases in general.



	Range bar	Differential bar	Sensitive element max. pressure bar	Connection G/14	Protection degree	Availability
B12MN	1 ÷ 5	0,6 fixed	9	flange	IP40	in stock
B12MN4	1 ÷ 5	0,6 fixed	9	threaded	IP40	on request

### WATERPROOF CASING EXECUTION

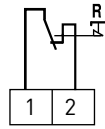


B12MNY	1 ÷ 5	0,6 fixed	9	flange	IP65	in stock
--------	-------	-----------	---	--------	------	----------

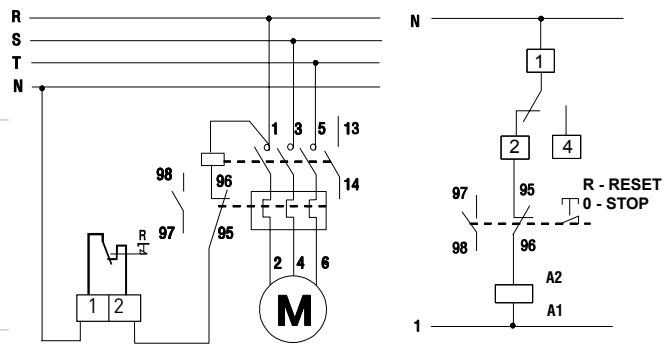
1 Bar = 100Kpa \*The differential must be deducted from the range value.

# ELECTRICAL FEATURES

Snap action SPDT microswitch, with manual reset, contacts in AgCdO.



## EXAMPLE OF ELECTRICAL WIRING



Nominal insulation tension	Ui	415V~
Continuous duty nominal current	Ith	16A
Operating nominal current Ie		220V- 380/415V~
Resistive load	AC-1	- 16A
Inductive load	AC-3	- 6A
Continuous current	DC-13	0,2A -

# HOMOLOGATION AND STANDARDS

Complies with EN 60947-4-1 standards.

I.S.P.E.S.L. homologation.

Corresponding to the requirements provided in the R.3.B. chapter of the applied technical specifications of D.M. dated December 1st 1975 R.3.B.

# INSTALLATION

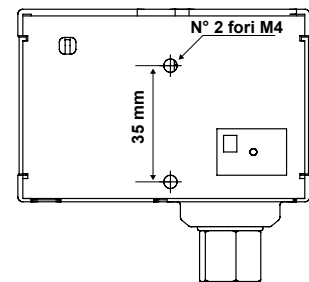
Direct installation on the pipe.

Pressure element connection G 1/4.

In case of fluid temperatures higher than the maximum allowed, connect the pressure switch to the pipe by inserting a metallic spiral between the pressure switch and the pipe to facilitate heat dispersion.

Possibility of mounting on metallic clamp, except for the waterproof casing versions.

MOUNTING MODEL



# OPERATION

When pressure increases: 1-2 opens.

For use in connection with a regulation pressostat.

# FEATURES

Calibration screw made to be welded after testing.

Connection G 1/4.

Sensitive element with stainless steel membrane, laser welded.

Metallic frame.

Cover in shockproof thermoplastic material.

Output connections with PVC cable gland.

Maximum temperature of the controlled fluid: 120°C.

Pressure switch body admissible temperature: -35÷60°C.

Storage and transport temperature: -35÷60°C.

Unit weight: 0,46 Kg.

# ACCESSORIES



**303298LA**

G1/2 cable gland in V0 self-extinguishing, shockproof thermoplastic material for output connections.



**2593367**

Protection casing IP44.