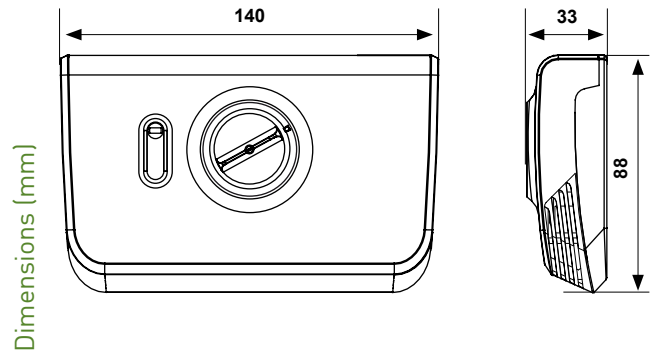


C63

Room thermostat with batteries

Electronic room thermostat, suitable for heating and cooling installations, for houses and offices. Used as well for direct control of the circulation pump, burner, air-conditioner, etc.



| | Temperature regulation range °C | Differential* K | Body admissible temperature °C | Power supply | Contact rating | Protection degree |
|-----|------------------------------------|--------------------|-----------------------------------|----------------------|----------------|-------------------|
| C63 | 6 ÷ 30 | 0,5 | - 10 ÷ 50 | 3 batteries AAA 1,5V | 5(3)A 250Vca | IP20 |

* Differential values are referred to a thermal gradient of 4K/h.

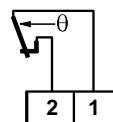
ELECTRICAL FEATURES

Micro disconnection (1B).

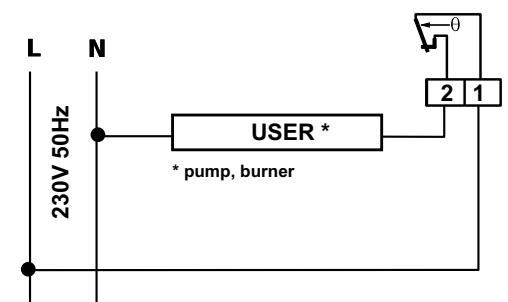
Power supply with three 1,5V AAA alkaline long life batteries; electrical supply is not required.

Pulse voltage 4000V.

Voltage-free switching contact.



EXAMPLE OF ELECTRICAL WIRING

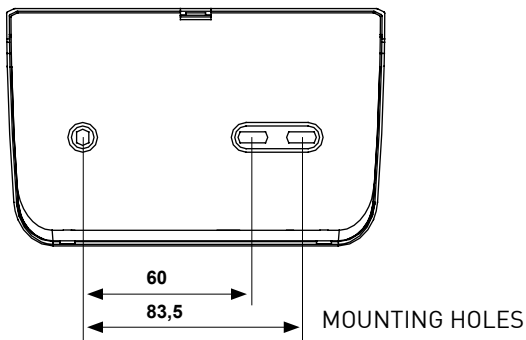


HOMOLOGATION AND STANDARDS

Complies with EN 60730-1 standards and corresponding parts.

INSTALLATION

Wall mounting or in 3-module embedded box or in round box.
Two-wire connection with the user.



OPERATION

When the temperature increases: 1-2 opens.

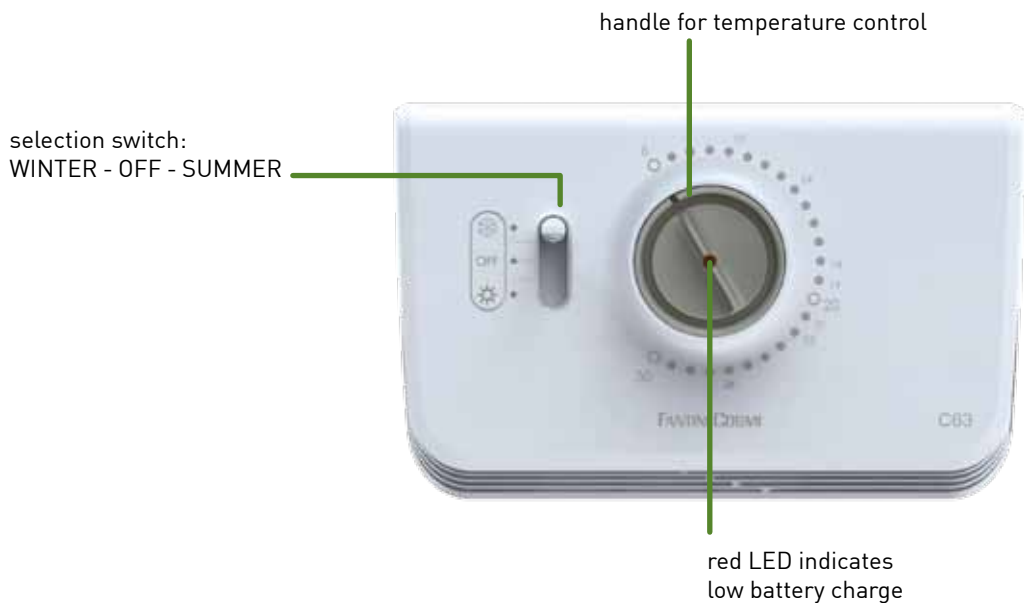
Sensitive element with NTC sensor.

The low differential makes the thermostat very sensible, which regulates with high precision the room temperature.

C63 has a switch that allows choosing the operation mode:

- ☀ SUMMER (for cooling installations);
- ❄ WINTER (for heating installations);
- OFF (turns off the system completely).

Red LED indicates low battery charge.



FEATURES

Red LED indicates low battery charge.

Battery operation life approximately 4 years.

WINTER - OFF - SUMMER switch.

Pollution degree 2.

☐ double insulation.