



## INDUSTRIAL HUMIDITY TRANSMITTERS

TU

### FUNCTION

Humidity measuring and transmission in voltage, current values:

- 0...10 Vdc, 0...5 Vdc, 3 wires;
- 4...20 mA, 2 wires;

### APPLICATIONS

Designed for industrial applications with air duct mounting or wall mounting.

TYPE	RANGE % r.h.	OUTPUT (HUMIDITY)	ACCURACY (HUMIDITY) % r.h.	PROTECTION	APPLICATION	DIA- GRAM FIG.
TUC1	0...100	0...10 Vdc	± 3	IP65	air duct	2
TUC2	0...100	4...20 mA	± 3	IP65	air duct	1
TUC3	0...100	0...5 Vdc	± 3	IP65	air duct	2
TUE1	0...100	0...10 Vdc	± 3	IP65	room/outdoor	2
TUE2	0...100	4...20 mA	± 3	IP65	room/outdoor	1
TUE3	0...100	0...5 Vdc	± 3	IP65	room/outdoor	2

All humidity transmitters (P/N including letter U) have a max working temperature -5...+50 °C.

### TECHNICAL FEATURES

**Power supply:** see electrical wiring  
**Humidity sensor:** capacitive  
**Output:** see schedule  
**Power cons.:** < 1 W  
**Elect. connections:** screw terminals max. 0.75 mm<sup>2</sup>  
**Measuring range:** see schedule  
**Working temp. :** -5...+50 °C  
**Working humidity:** 10...95 % r.h.  
**Storage:** -20...+70 °C  
**Precision:** +/-3 % r.h. at 20 °C  
**Temp. dependence of electronics:** output 4...20 mA (humidity): 0.015 °C/°C  
 Load limits:  
 output 4...20 mA  
 - power supply 11...17 Vdc:  $R_L < 50 \text{ Ohm}$   
 - power supply 21...30 Vdc:  $R_L < 500 \text{ Ohm}$   
 output 0...10 Vdc, 0...5 Vdc:  $R_L > 1000 \text{ Ohm}$

**Housing:** cover: blue transparent polycarbonate  
 base: blue polycarbonate  
**Protection:** IP65, class III (sensor excluded)  
**Dimensions:** 75 x 75 x 36 mm  
**Weight:** 180...300 g

### WIRING DIAGRAM

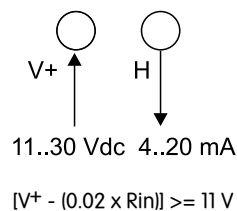


Fig. 1

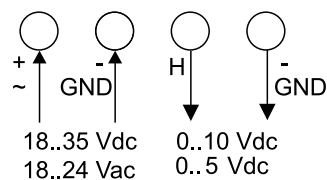
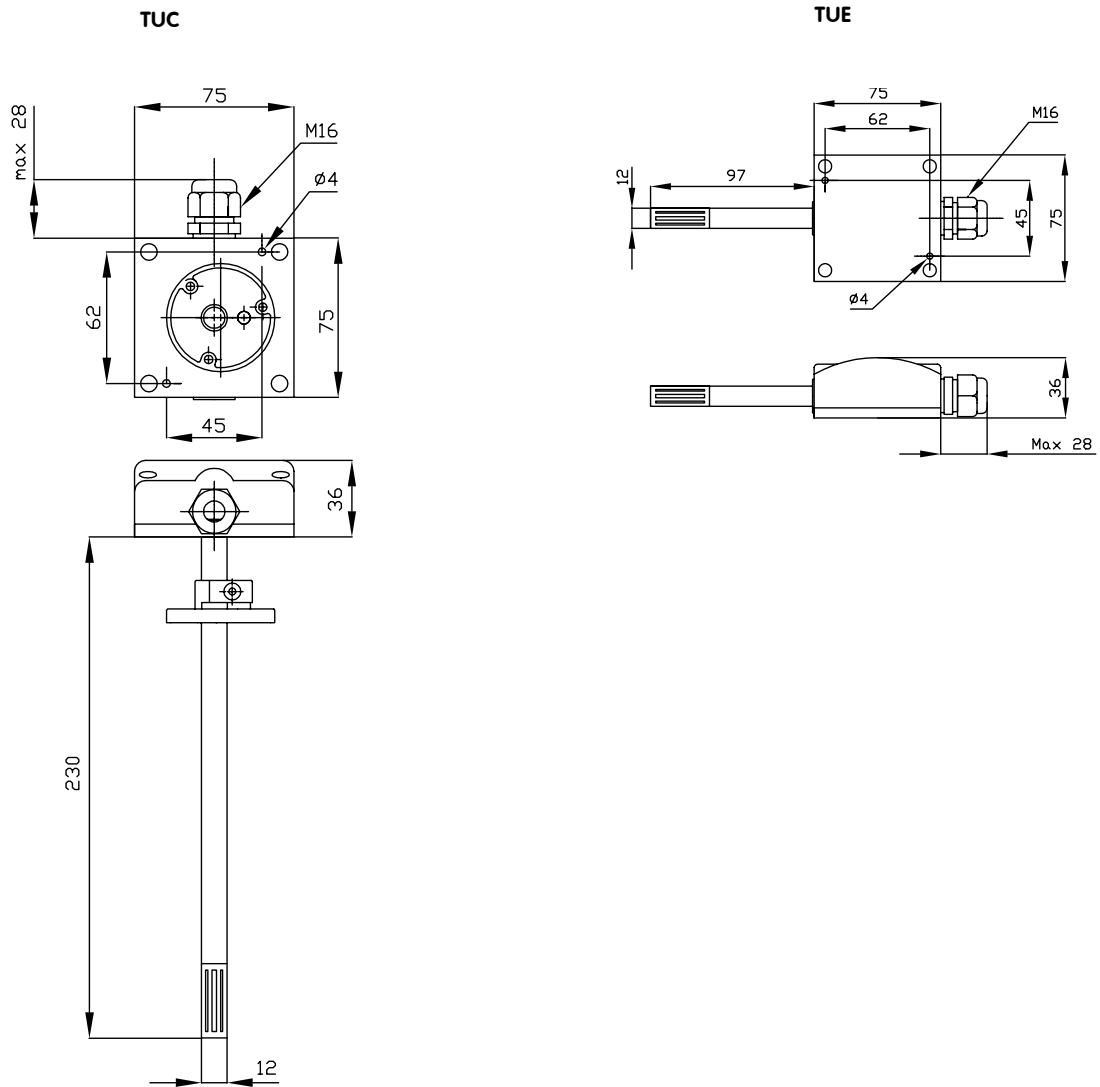


Fig. 2

Wiring diagrams referred to the different models from the schedule.



DIMENSIONS (mm)



MOUNTING BRACKET DBZ-22 SUPPLIED WITH TUC

