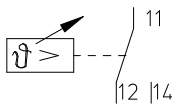


Remark: The technical data and working conditions shown on this drawing don't dispense the customer from his liability to do additional safety and function tests in accordance to legal standards and his application.

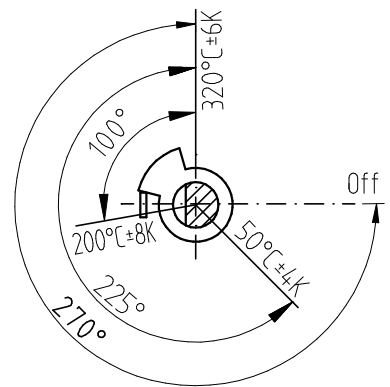
SPDT



Switch rating	
EN	11-12: 16(2.6) / 250~
	11-14: 6(1) / 250~
	11-12: 10(2) / 400~
	11-14: 2(2) / 400~

Technical data:

Type: (EN 60730): 1C
 Switching differential: ~13K
 Switch head max. ambient temp.: T 125
 Max. bulb temp.: 400°C
 Flat plug A6,3x0,8 DIN 46244
 Ground connector yes ⊗ no ○
 Contacts are bent: $\alpha = 0^\circ$
 Protective tube from the house: ca. 50



Operating temperatures are switch-off values, measured in test bath.

Customer: HSD Instruments

Return of former drawing is not required.

				Free tolerance/ Szabadtűrés	Angular tolerance/ Szögtűrés	Firm/Cég		
				MSZ ISO 2768-m	MSZ ISO 2768-v			
				2013.	Date/Dátum	Name/Név	Description/Megnevezés	Scale/ Méretarány
				Designed by	20.03.	Nagy	Termostat 716 RU	1:1
				Checked by	20.03.2013	Tóth L.		
				Sign.	20.03.2013			
				Material/Anyag			Drawing number/Rajzsám	Sheet No./ Lapszám
							20-s-292	1/1
00	13 000	20.03.	Nagy				Part No./Anyagszám	
Revision level/Index	Change number/ Változási szám	Date/ Dátum	Name/ Név				95....	Former drawing No./ Előző
							9890	