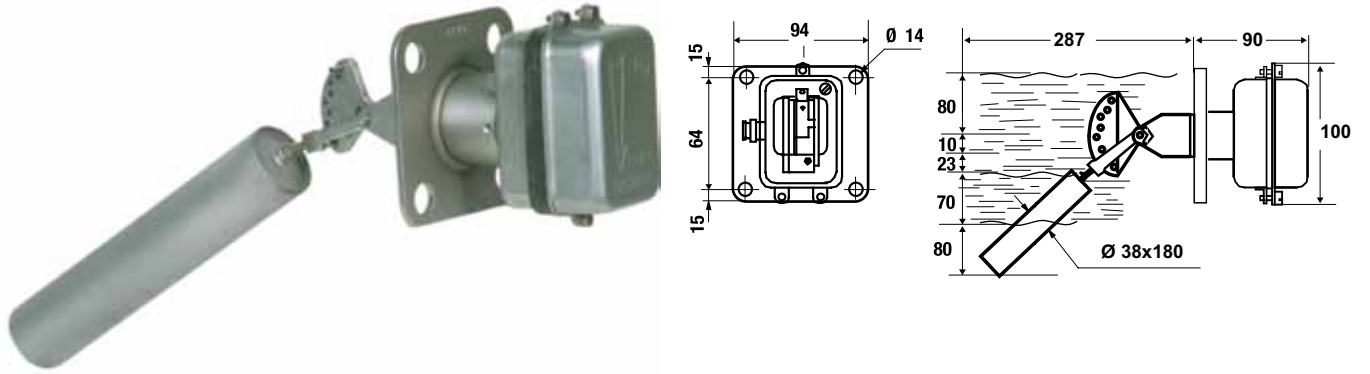


AD22

Magnetic level control for under pressure systems up to 10 bar

Suitable to control and adjust liquid level in small under pressure tanks (6 bar) such as sterilizers, autoclaves, steam machines, drink vending machines etc.



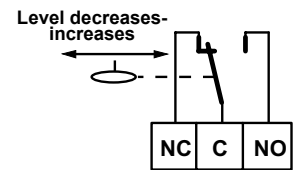
	Level differential mm	Maximum operating pressure bar	Maximum liquid temperature °C	Materials in contact with the liquid	Flange connection	Protection degree
AD22	25 ÷ 175	6	150	steel	PN6	IP54

ELECTRICAL FEATURES

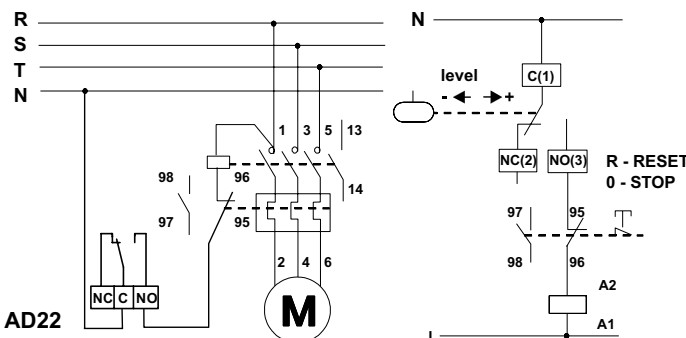
SPDT microswitch.

Electrical connection with 6,35 Faston (supplied).

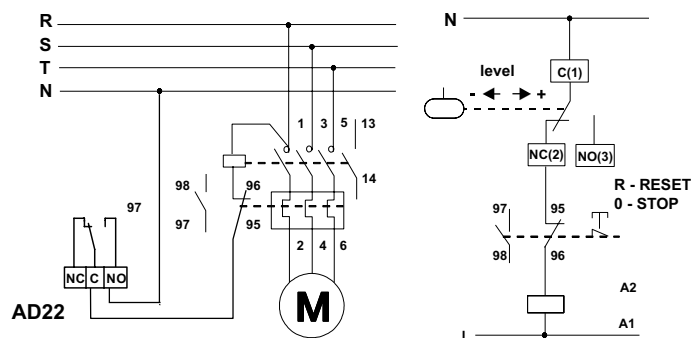
Nominal insulation tension	Ui 380Vc.a.
Continuous duty nominal current	Ith 10A
Operating nominal current Ie:	220V- 250Va.c.
Resistive load	AC-12 - 10A
Inductive load	AC-15 - 3A
Direct current	DC-13 0,2A -



ELECTRICAL WIRING FOR EMPTYING PUMP



ELECTRICAL WIRING FOR FILLING PUMP



HOMOLOGATION AND STANDARDS

Complies with CEI- EN 60947-5-1 standards.

INSTALLATION

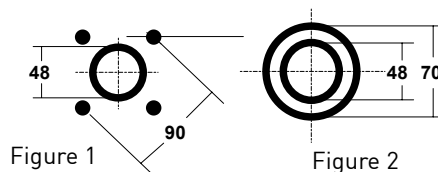
Flange connection UNI 2223 - DIN32 - PN6.

Fastening to the reservoir through a welded flange PN 6-DN 32.

Coupling dimensions UNI 2223-67 with enlarged central hole (Figure 1).

Sealing with 1 mm thickness gasket (Figure 2).

N° 4 holes $\varnothing 14$, through-hole or threaded M12



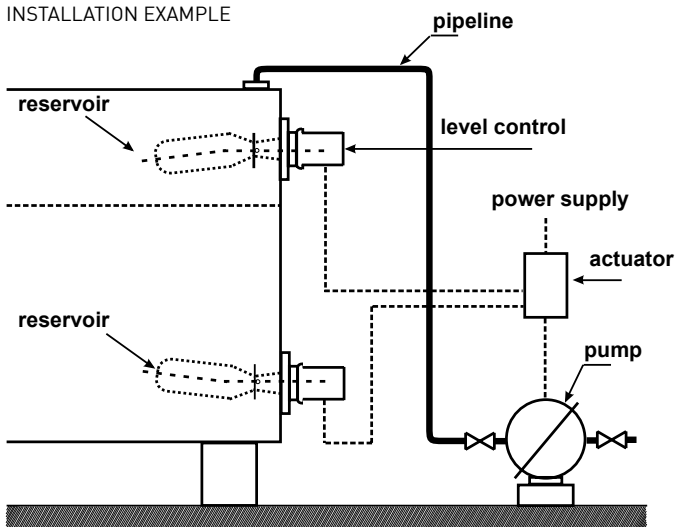
OPERATION

Operation by means of repulsion of two permanent magnets in opposition.

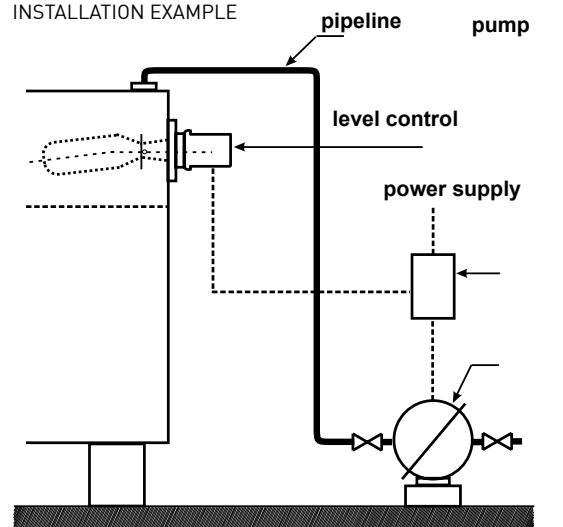
Controlled liquid must have a specific gravity from 0,7 to 1,1 kg/dm^3 .

When level increases: C-NC opens, C-NO closes.

INSTALLATION EXAMPLE



INSTALLATION EXAMPLE



FEATURES

Stainless steel body.

Float and connection flange in stainless steel.

Output connections with brass cable glands G 3/8.

Storage and transport temperature: $-25 \div 70$ °C.

Unit weight: 1,2 Kg.