



Main applications

- Thermoforming
- Plastic extrusion lines
- Industrial ovens and furnaces
- Heat treatments
- Control applications with high switching speed
- Mold heating/cooling control units
- Refrigeration
- Air conditioning

Main features

- Control input from VDC/VAC logic signal
- 3-phase alternating current solid state relay with integrated heatsink
- Zero crossing switching
- 3-phase nominal current 3x25/40/55A
- Nominal voltage up to 600VCArms
- Integrated SCR thermal protection with LED signal
- Optional alarm output (for interrupted load diagnostics or for SCR overtemperature)
- Optoinsulation (input/output) 4000Vrms
- Integrated overvoltage suppressor
- Non-repetitive voltage up to 1200Vp
- Component selection to operate at max. declared current with $\leq 40^{\circ}\text{C}$ temperature
- DIN bar mounting with fast clip-on
- In Conformity with EN60947-4-3 and UL508

PROFILE

3-phase "zero crossing" power solid state unit for control of resistive and inductive loads, complete with aluminum heatsink and DIN guide connection.

Integrated device designed for industrial applications demanding control of high power levels and frequent switching, with loads up to 3 x 55A (AC51) at 400/480/600Vac.

Control is logic type (VDC or VAC), signaled by LEDs. Each phase is controlled by means of semiconductors.

The constructive elements, special production process, and new, sturdy case, provide excellent reliability and continuity of service.

The device is sized for continuous operation at nominal current at room temperature of 40°C .

All versions are protected against overvoltages and against junction overtemperature, with signal LEDs and (optional) solid state alarm output.

An optional alarm output is available for interrupted load diagnostics.

The device is supplied complete with covers to protect against direct contacts (covers are removable for wiring).

Accessories available: fuses, fuse holders, support for panel mounting, thermostats and fans.

TECHNICAL DATA

General features

Category of use: AC51, AC53a

Nominal voltage (Ue):
 400Vac (max. range 24...440Vac) (TRIAC)
 480Vac (max. range 24...530Vac) (SCR)
 600Vac (max. range 24...660Vac) (SCR)

Nominal frequency: 50/60Hz

Peak voltage:
 $< 800\text{Vp}$ for models with Ue=400Vac
 $< 1200\text{Vp}$ for models with Ue=480Vac,
 Ue=600Vac

Uninterrupted nominal service.

Critical dV/dt OFF-state:
 $500\text{V}/\mu\text{s}$ for models with Ue=400Vac
 $1000\text{V}/\mu\text{s}$ for models with Ue=480Vac,
 Ue=600Vac

Switching voltage for zero: $< 20\text{V}$

Activation time: $\leq 1/2$ cycle
 Deactivation time: $\leq 1/2$ cycle

Potential drop at rated current: $\leq 1,4\text{Vrms}$

IP20 protection

Weight : GTZ 25:1100g
 GTZ 40, 55:1350g

Control inputs

DC INPUT (Type "D"):

Voltage of command circuit (Uc):
 $5..32\text{Vdc}$

Activation voltage:

$> 4.5\text{Vdc}$

Deactivation voltage:

$< 3\text{Vdc}$

Max. input:

$18\text{mA} @ 5\text{Vdc} - 22\text{mA} @ 32\text{Vdc}$

Max. reverse voltage: 36Vdc

AC INPUT (Type "A"):

Control voltage:

$20..260\text{Vac/Vdc}$

Activation voltage:

$> 15\text{Vac/Vdc}$

Deactivation voltage:

$< 6\text{Vac/Vdc}$

Current draw:

$\leq 8 \text{ mAac/dc} @ 260\text{Vac/Vdc}$

Outputs

GTZ 25/...

Nominal current (Imax):

AC51: 3x25 A

AC53a: 3x5 A

GTZ 40/...

Nominal current (Imax):

AC51: 3x40 A

AC53a: 3x8 A

GTZ 55/...

Nominal current (Imax):

AC51: 3x55 A

AC53a: 3x15 A

Insulation

Nominal insulation voltage

input/output:

2.5KV ac for models with Ue=400Vac

4KV ac for models with Ue=480Vac,

Ue=600Vac

Nominal impulse withstand voltage

(Uimp): 2500Vac

Ambient conditions

• Working temperature:

-20°C...80°C

• Max. relative humidity: 50% to 40°C

• Max. installation altitude: 2000 slm

• Pollution level : 3

• Storage temperature: -20...85°C

• Class: A (industrial device)

• Suitable for use in pollution degree 2 environmental

Thermal protection

SCR temperature is constantly monitored inside the device.

If the maximum temperature limit is exceeded (T=110°C), current to the load is interrupted and the yellow signal LED lights up.

Options

Option -1

(Thermal protection alarm output).

The alarm output option activates closing of an isolated contact (max 32VAC/VDC, 150mA, conducting resistance <=15 ohm) when it detects the following fault condition: control signal active but SCR / heatsink is in overtemperature (GTZ thermal protection)

Option -2

(Thermal protection alarm output and interrupted load).

Only for GTZ with Type "A" input.

The alarm output option activates closing of an isolated contact (max 32VAC/VDC, 150mA, conducting resistance <=15 ohm) when it detects the following fault conditions:

- Control signal active but no current in at least one three-phase branch (interrupted load)

- Control signal active but no power line voltage (no line)

- Control signal active but SCR / heatsink is in overtemperature (GTZ thermal protection).

Power supply

Fan supply (only for models GTZ 40/55A):

230Vac 14W (VEN90)

115Vac 14W (VEN91)

24Vdc 4W (VEN92)

Installation notes

Use the high speed fuses specified in the catalog according to the connection example provided.

Applications with solid state power units must also include an automatic safety switch to cut out the load power line.

For maximum reliability, the device MUST be installed correctly in the panel in order to have adequate heat exchange between the heatsink and the surrounding air under conditions of natural convection.

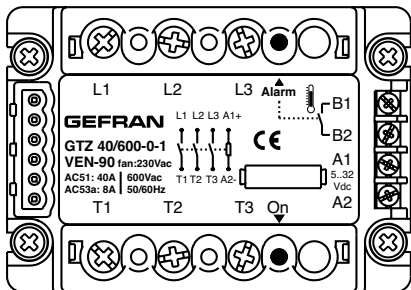
Mount it vertically (max.10 inclination from the vertical axis)

• Vertical distance between a heatsink and the panel wall >100mm

• Horizontal distance between a heatsink and the panel wall: 20mm at least

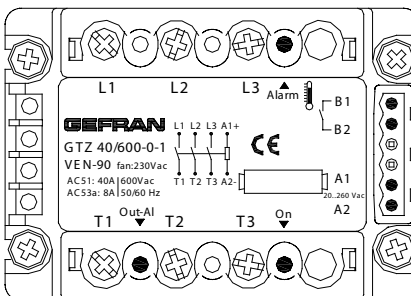
• Vertical distance between two heatsink: 300mm at least.

FACEPLATE DESCRIPTION GTZ with DC control (Models GTZ-xx/xx-D-x)



L1 :	Phase 1 input
L2 :	Phase 2 input
L3 :	Phase 3 input
T1 :	Phase 1 output
T2 :	Phase 2 output
T3 :	Phase 3 output
A1 :	Control signal (+)
A2 :	Control signal (-)
B1 :	Alarm output (option)
B2 :	Alarm output (option)
Led ON:	Red led signal indicator
Led Alarm:	Yellow led (alarm overtemperature junction)

FACEPLATE DESCRIPTION GTZ with AC control (Models GTZ-xx/xx-A-x)



L1 :	Phase 1 input
L2 :	Phase 2 input
L3 :	Phase 3 input
T1 :	Phase 1 output
T2 :	Phase 2 output
T3 :	Phase 3 output
A1 :	Control signal (AC)
A2 :	Control signal (AC)
B1 :	Alarm output (option)
B2 :	Alarm output (option)
Led ON:	Red led signal indicator
Led Alarm:	Yellow led (alarm overtemperature junction)
Led OUT-AL:	Red Led interrupted load alarm (with option 2 only)

- Horizontal distance between two heat-sink: 20mm. at least
- Check that cable raceways do not reduce these distances; should it happen, mount the GTZ overhanging from the panel, so that the air can flow vertically on the heat-sink without obstacles.
- Maximum surrounding air temperature 40°C (for UL).
- Open type equipment

Limits of use

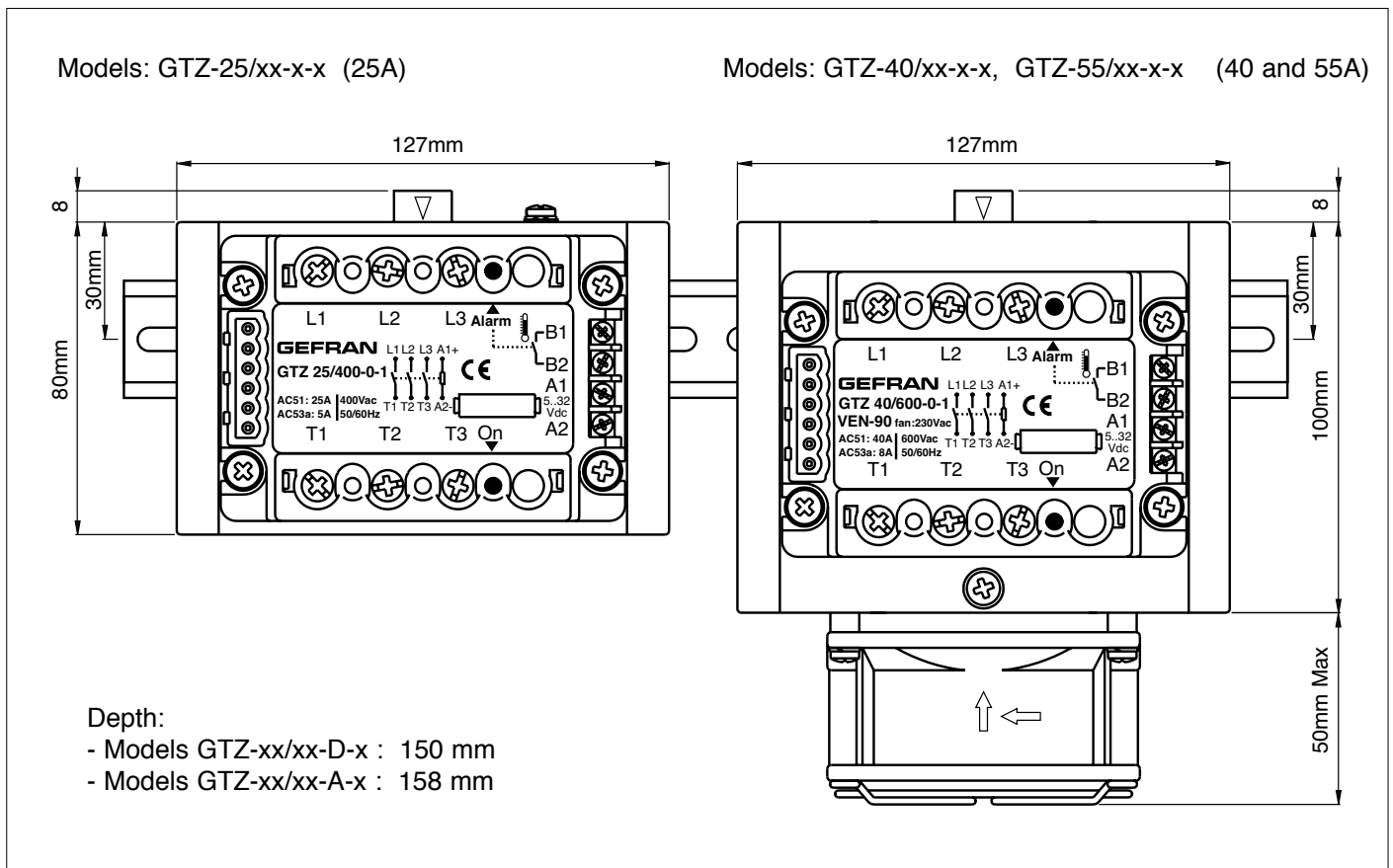
- dissipation of thermal power of device with restrictions on temperature of installation site.
- requires exchange with outside air or an air conditioner to transfer dissipated power outside the panel.
- installation requirements (distances between devices to guarantee dissipation under conditions of natural convection)
- max. voltage limits and derivative of transients in line, for which the solid state unit has internal protection devices.
- presence of dispersion current < 10mA (max. value with rated voltage and junction temperature of 125°C).

TECHNICAL DATA OF THE MAIN CIRCUIT

Model	I _{max} , I _e (*) [Arms]	Non-repetitive overcurrent t=20ms [A]	I ² t [A ² s]
GTZ 25/400	3x25	250	450
GTZ 25/480	3x25	400	645
GTZ 40/480	3x40	600	1010
GTZ 55/480	3x55	1150	6600
GTZ 40/600	3x40	600	1010
GTZ 55/600	3x55	1150	6600

(*) I_e = Nominal current (Standard CEI EN 60947-4-3)

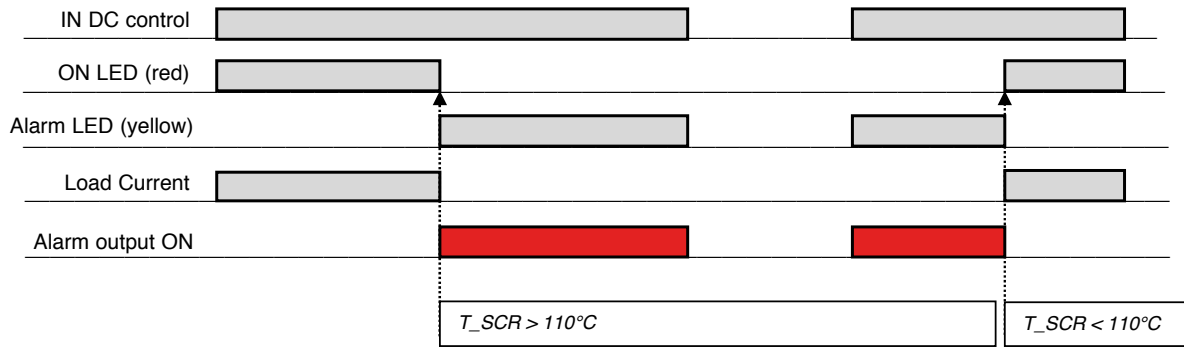
DIMENSIONS



TYPE OF OPERATION

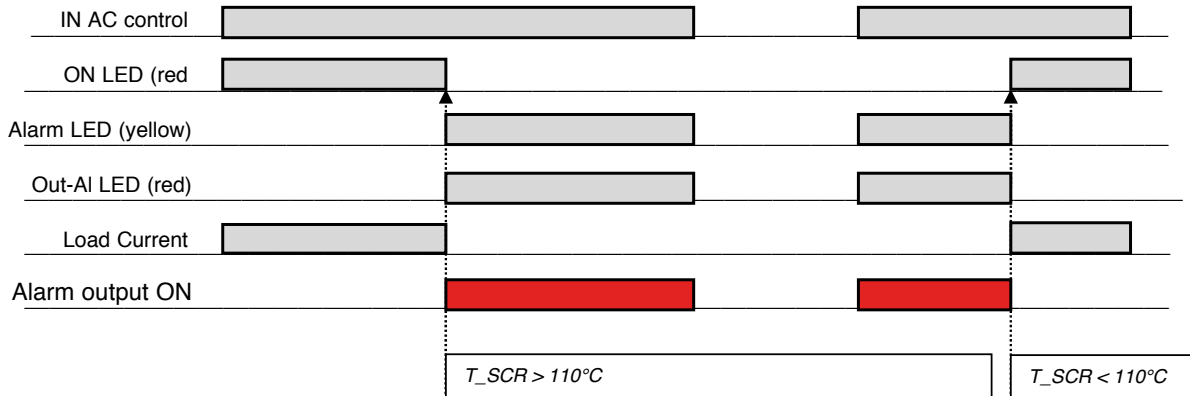
ALARM OPTION – DC INPUT: FUNCTIONAL DIAGRAM:

THERMAL PROTECTION ALARM

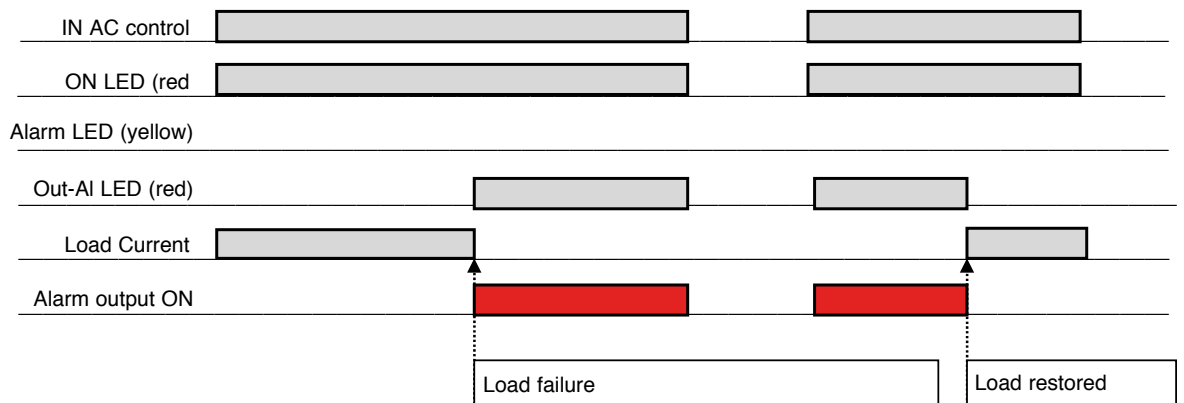


ALARM OPTION – AC INPUT: FUNCTIONAL DIAGRAM

THERMAL PROTECTION ALARM

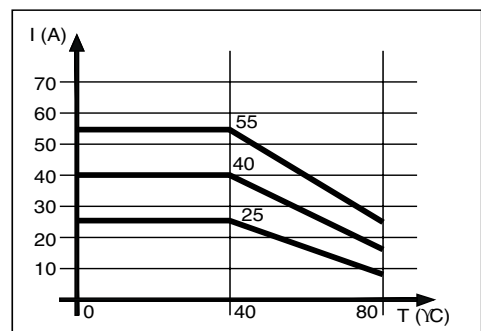


INTERRUPTED LOAD ALARM



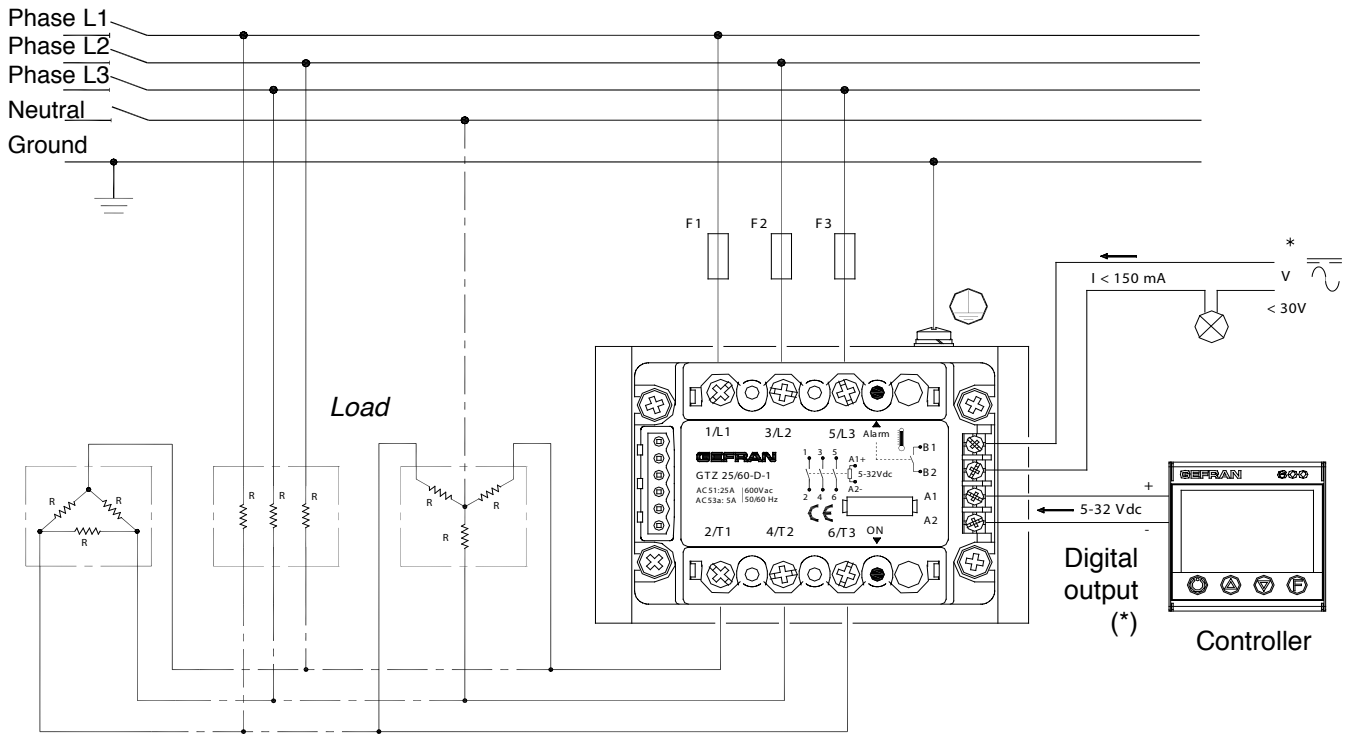
DISSIPATION DIAGRAMS

Rated current curves based on room temperature.



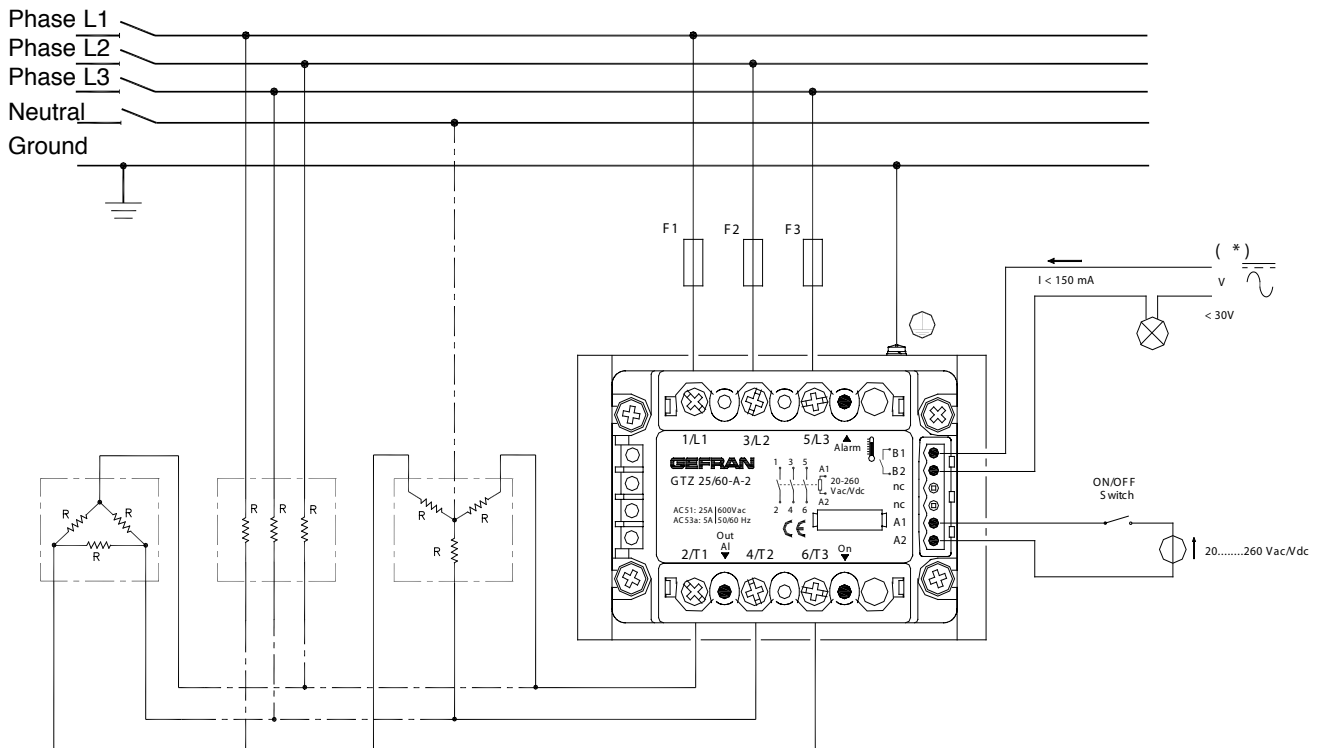
CONNECTION EXAMPLES - GTZ with DC control (Models GTZ-xx/xx-D-x)

Three-phase Triangle or Star connection (with and without neutral)



* Only in the version with option overtemperature alarm output

CONNECTION EXAMPLES - GTZ with AC control (Models GTZ-xx/xx-A-x)



* Only in the version with option alarm output

TABLE OF TERMINALS AND CONDUCTORS

Model	I/O Control terminal (A1, A2, B1, B2)			Power terminal (L1, L2, L3, T1, T2, T3)		
	Contact area (LxP) screw type	Type of pre-insulated crimp connector	Wire section (*)/ tightening torque	Contact area (LxP) screw type	Type of pre-insulated crimp connector	Wire section(*) / tightening torque
GTZ 25...55A with DC control	6,3x9 M3	eye / fork / tip	min. 0.35 mm ² max. 2,5 mm ² 0,6 Nm Max	12x12 M5	eye / fork / tip	min. 1 mm ² max. 10 mm ² (tip)
GTZ 25...55A with AC control	Plug connector 2/6 pins	Stripped wire or tip	min. 0.25 mm ² max. 2,5 mm ² 0,5 Nm Max			min. 1 mm ² max. 16 mm ² (eye/ fork)
						1,5 - 2,2 Nm

Model	Ground terminal (see note)	
	Contact area (LxD) screw type	Wire section (*)/ tightening torque
GTZ 25...40A	Area: 7x12 mm ² Screw: self-threading 3.9x12 DIN7981	min. 1 mm ² max. 16 mm ² 1,5-1,8 Nm
GTZ 55A	Area: 12x12 mm ² Screw: M5	min. 1 mm ² max. 16 mm ² 2 - 2,5 Nm

(*) The max. sections specified refer to unipolar copper wires isolated in PVC.

Note: For the ground terminal, you have to use an eye wire terminal.

(LxP) = width x depth [mm]

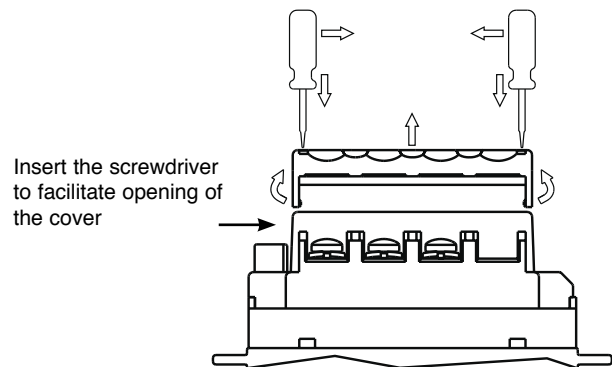
The minimum acceptable nominal section based on the nominal currents of the power solid state units is given below for copper conductors isolated in PVC, under continuous operating conditions and at 40°C ambient temperature according to standards CEI 44-5, CEI 17-11, IEC 408 in accordance with EN60204-1

Nominal current	Nominal section cable on mm ²
10A	2,5
25A	6
40A	10
55A	16

Terminal covers

If an eye terminal lug is used, the terminal covers can be removed more easily by inserting a Phillips screwdriver (max. width 3.5 mm) into the side slots.

With the point of the screwdriver, widen the side of the cover and raise it.



ACCESSORIES

A wide range of accessories is available heatsink, fuses and fuse holders, current transformer, supports to guide DIN, thermostats.

To choose accessories, see the section "Solid state relays - Accessories".

ORDER CODE

GTZ [] / [] - [] - [] - []

MODEL	
	GTZ

NOMINAL CURRENT	
25Aac	25
25Aac (*)	25B
40Aac	40
55Aac	55

NOMINAL VOLTAGE	
400Vac (only for 25A models and only with type "D" input)	40
480Vac	48
600Vac	60

FAN (for mod. 40A and 55A)	
VEN-90	Fan 80x80x40 230V 14W
VEN-91	Fan 80x80x40 115V 14W
VEN-92	Fan 80x80x25 24Vdc 4W

OPTIONS	
0	None
1	Alarm output thermal protection
2	Alarm output for interrupted load diagnostics and thermal protection. (Available ONLY with type "A" input)

INPUT	
D	5...32Vdc
A	20 ... 260 Vac/Vdc

(*) Version with high melt energy (I²t) short circuit-proof using a specific circuit breaker

Please contact GEFTRAN personnel for information on availability of codes.

•WARNINGS



WARNING: this symbol indicates danger.

Read the following warnings before installing, connecting or using the device:

If the power solid state unit is used in applications with risk of injury to people, machines, or materials, auxiliary alarm devices must be employed. It is also advisable to be able to check for tripping of alarms during normal operation;

- follow instructions precisely when connecting the heatsink;
- always use cables that are suitable for the voltage and current levels indicated in the technical specifications;
- DO NOT operate the device in rooms with dangerous (flammable or explosive) atmosphere;
- During continuous operation, the heat sink can reach up to 100°C, and stays at a high temperature even after the device is turned off due to thermal inertia; therefore, DO NOT touch it and avoid contact with electrical wires;
- do not work on the power part without first disconnecting electrical power to the panel;
- do not remove the cover when the device is powered!

Installation:

- ground the heatsink connected to the power module;
- power supply lines must be separated from device input and output lines; always check that the supply voltage matches the voltage indicated on the device label;
- avoid dust, humidity, corrosive gases and heat sources;
- respect the installation distances between one device and another (to allow for dissipation of generated heat).
- to keep air in movement, we advise you to install a fan near the GTZ group in the electrical panel containing the GTZs.;

Maintenance:

- at regular intervals, check operation of the cooling fans and clean all air ventilation filters;
- repairs must be done out only by trained and specialized personnel. Cut power to the device before accessing internal parts.
- do not clean the box with solvents derived from hydrocarbons (trichloroethylene, gasoline, etc.). Using such solvents will compromise the device's mechanical reliability. Use a clean cloth moistened with ethyl alcohol or water to clean external parts in plastic.

Service:

GEFRAN has a service department.

The warranty excludes defects caused by any use not conforming to these instructions.



In conformity to ECC 2004/108/CE and 2006/95/CE and following modification with reference to standard EN 60947-4-3 (Low voltage equipment - AC Semiconductor starters and contactors)



In Conformity with **UL508** - File: **E243386**